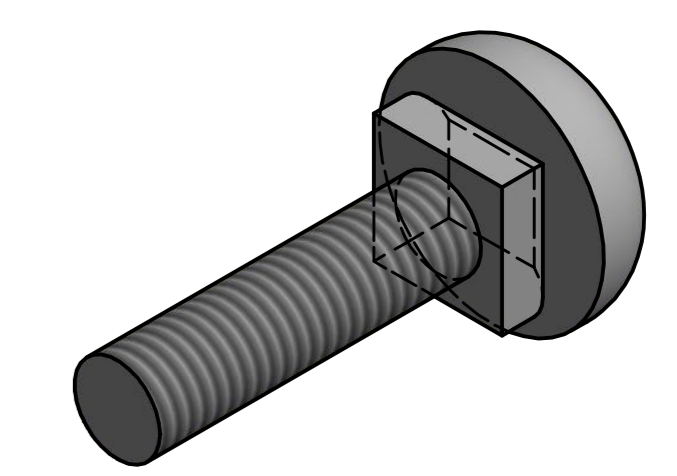


SNAP OFF SECURITY NUT



SQUARE HEAD BOLT

PARTS LIST			
ITEM	QTY	PART NUMBER	DESCRIPTION
2	1	BEAM	
3	1	CONCRETE BLOCK	
4	8	SPIDER CLAM ASSY	
5	1	MESH-PANNEL	
6	1	BEAM1	
7	1	CONCRETE BLOCK1	
8	8	SPIDER CLAM ASSY1	

MESHTechTM
SEE-THROUGH FENCING SPECIALISTS
WWW.MESHTech.CO.ZA

Designed by Jurgens	Checked by Weber	Approved by Weber	Date 2024/02/10	Date 2024/02/09	
1.8 M Fence MAIN GA				Edison 1	Sheet 1 / 1

A (1:2)